

Product data sheet

Characteristics

XS1M18PAS20D

Inductive proximity sensors XS, inductive sensor XS1 M18, L70mm, stainless, Sn5mm, 12...24 VDC, M12



Product availability: Non-Stock - Not normally stocked in distribution facility

Price*: 175.85 USD



Main

| | |
|------------------------------------|---|
| Range of product | Telemecanique Inductive proximity sensors XS |
| Series name | Application |
| Sensor type | Inductive proximity sensor |
| Device application | Selective detection of non ferrous materials |
| Sensor name | XS1 |
| Sensor design | Cylindrical M18 |
| Size | 70 mm |
| Body type | Fixed |
| Detector flush mounting acceptance | Flush mountable |
| Material | Stainless steel |
| Type of output signal | Discrete |
| Wiring technique | 3-wire |
| [Sn] nominal sensing distance | 0.20 ln (5 mm) |
| Discrete output function | 1 NO |
| Output circuit type | DC |
| Discrete output type | PNP |
| Electrical connection | Male connector M12, 4 pins |
| [Us] rated supply voltage | 12...24 V DC reverse polarity protection |
| Switching capacity in mA | <= 200 mA overload and short-circuit protection |
| IP degree of protection | IP67 conforming to IEC 60529 |

Complementary

| | |
|--------------------|------------------------------|
| Thread type | M18 x 1 |
| Detection face | Frontal |
| Front material | PPS |
| Enclosure material | Stainless steel : 304 CU |
| Operating zone | 0.00...0.16 ln (0...4 mm) |
| Status LED | Output state: 1 LED (yellow) |

| | |
|------------------------|----------------------|
| Supply voltage limits | 10...38 V DC |
| Switching frequency | <= 1000 Hz |
| Maximum voltage drop | <2.6 V closed) |
| Current consumption | 0...15 mA no-load |
| Maximum delay first up | 10 Ms |
| Maximum delay response | 0.3 Ms |
| Maximum delay recovery | 0.7 Ms |
| Marking | CE |
| Threaded length | 2.05 In (52 mm) |
| Height | 0.71 In (18 mm) |
| Length | 2.76 In (70 mm) |
| Net weight | 1.32 Lb(US) (0.6 kg) |

Environment

| | |
|---------------------------------------|----------------------------|
| Product certifications | UL CSA |
| Ambient air temperature for operation | -13...158 °F (-25...70 °C) |

Ordering and shipping details

| | |
|-----------------------|----------------------------|
| Category | 22486 - SENSORS, PROXIMITY |
| Discount Schedule | DS2 |
| GTIN | 03389110873832 |
| Nbr. of units in pkg. | 1 |
| Package weight(Lbs) | 2.50 Oz (71 g) |
| Returnability | No |
| Country of origin | FR |

Packing Units

| | |
|------------------------|------------------|
| Unit Type of Package 1 | PCE |
| Package 1 Height | 1.77 In (4.5 cm) |
| Package 1 width | 3.19 In (8.1 cm) |
| Package 1 Length | 2.83 In (7.2 cm) |

Offer Sustainability

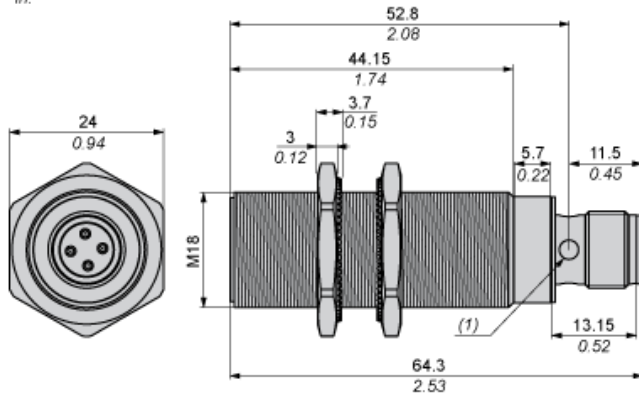
| | |
|----------------------------|--|
| Sustainable offer status | Green Premium product |
| California proposition 65 | WARNING: This product can expose you to chemicals including: Diisononyl phthalate (DINP), which is known to the State of California to cause cancer, and Diisodecyl phthalate (DIDP), which is known to the State of California to cause birth defects or other reproductive harm. For more information go to www.P65Warnings.ca.gov |
| REACH Regulation | REACH Declaration |
| EU RoHS Directive | Pro-active compliance (Product out of EU RoHS legal scope) EU RoHS Declaration |
| Mercury free | Yes |
| RoHS exemption information | Yes |
| Environmental Disclosure | Product Environmental Profile |
| Circularity Profile | End Of Life Information |

Contractual warranty

| | |
|----------|-----------|
| Warranty | 18 months |
|----------|-----------|

Dimensions

mm
in.



(1) LED

Minimum Mounting Distances

Side by side



$e (1) \geq 10 \text{ mm} / 0.39 \text{ in.}$

Face to face



$e (2) \geq 60 \text{ mm} / 2.36 \text{ in.}$

Facing a metal object



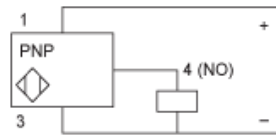
$e (3) \geq 15 \text{ mm} / 0.60 \text{ in.}$

Wiring Schemes

M12 connector

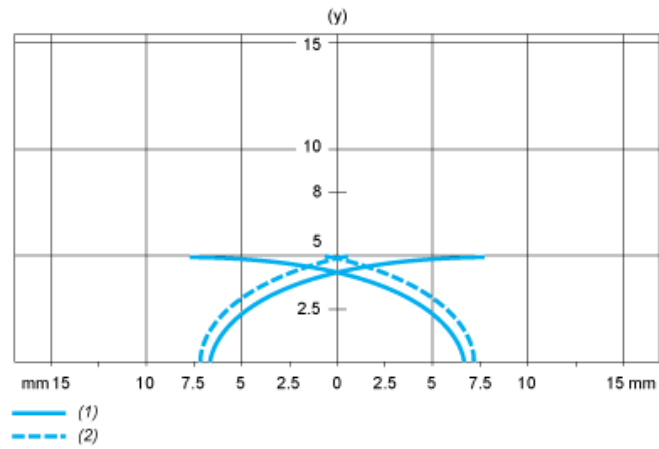


PNP



Performance Curves

Standard Steel Target : 18x18x1 mm



- (1) Pick-up points
- (2) Drop-out points (object approaching from the side)
- (y) Sensing distance in mm

Product Life Status : **Commercialised**